
	335	
	VEHICLE DETECTION	
	Low Power Radar Traffic Detector	



This product has been designed to be mounted externally on vehicle actuated signs (VAS). It provides the main detection function at remote sites where solar power supply is typical. The 335 FMCW radar operates in the 24GHz band.

- Low power vehicle radar detection
- Technically advanced detection platform
- Compact stand-alone detector
- Suitable for multiple applications

LOW POWER SIGN ACTIVATION RADAR DETECTOR

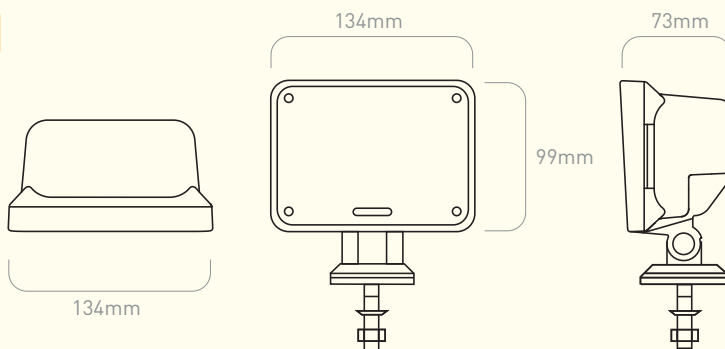


FEATURES

- Low power unit for solar applications typically <20mA
- 6Vdc or 12Vdc supply options
- Compact unit for ease of installation
- Can detect approaching vehicles upto 140m
- User adjustable parameters for optimum detection via RS232 interface
- Low speed threshold from 10kph to 160kph
- Range sensitivity adjustment
- Speed output in kph or mph
- Optional vehicle count function

DIMENSIONS:



Weight: 600g



SPECIFICATIONS

Technology	FMCW Digital Radar
Detect Output	Opto-isolator/RS232
Bandwidth	15MHz
Mounting Height	3-5m nominal
Product Mounting	Pan and tilt bracket (M10 fixing)
Housing Material	Marine grade aluminium, black polyester powder coat
Operating Temp	-30°C to +60°C
Power	100 - 150mW @ 6Vdc
Approved to:	ETSI EN 301 489 BS EN 50293 AS/NZS 4268

335 TESTING PROCESS

	TEST EQUIPMENT:	HYPERION™	
	PRODUCT TEST:	315 316 335 342	
	TEST FUNCTION:	<ul style="list-style-type: none"> • True range simulation of target • Test cycle time 9 minutes • Radar target processing optimisation • Verification of communication protocols 	<small>HYPERION was designed and developed by AGD Systems</small>

Hyperion™ is a bespoke set of test equipment designed and developed by AGD Systems. It is dedicated to the testing of the 'ranging' portfolio of AGD FMCW vehicle radars. 100% of the 335 units manufactured at AGD are Certified by Hyperion.



FULL RANGE

HYPERION is dedicated to the testing of the AGD portfolio of 'ranging' FMCW vehicle radars. It provides true range simulation and both target speed and direction simulation at a given range

The key test functions performed by Hyperion to Certify the premium performance of your Intelligent Detection System are:

- True range simulation of target
- Target speed and direction simulation at a given range
- Radar target processing optimisation
- Transmitted radar power and frequency modulation measurement
- Radar signal to noise level measurement
- Verification of interface and communication protocols
- Test cycle time of 9 minutes

The radar test sequences performed by Hyperion on the radar under test provides a thorough examination of the performance of the 335 radar and specifically the ranging measurement capability provided by the FMCW technology deployed. This gives full control of simulated targets' signal size, speed, direction and range.

Verification of Bluetooth communication to the detector is verified during the test cycle.

Optimisation of frequency signals on Hyperion ensures full compatibility with country requirements within the 24GHz radar operating band.

LIFETIME PRODUCT TRACEABILITY

There are clearly defined pass and fail criteria at all stages within the Hyperion test process. The test results in association with the product build revision are recorded on a product serial number basis. The full suite of test measurements is instantly sent to the dedicated product database within the AGD secure server facility, providing full traceability during the product lifetime.

The AGD Certified symbol is your mark of assured performance.

AGD SYSTEMS PTY LTD

Unit 17/15 Valediction Road
Kings Park, NSW 2148

T: +61-2-9653-9934
E: sales@agd-systems.com.au
W: agd-systems.com.au

ABN: 41 145 608 859