
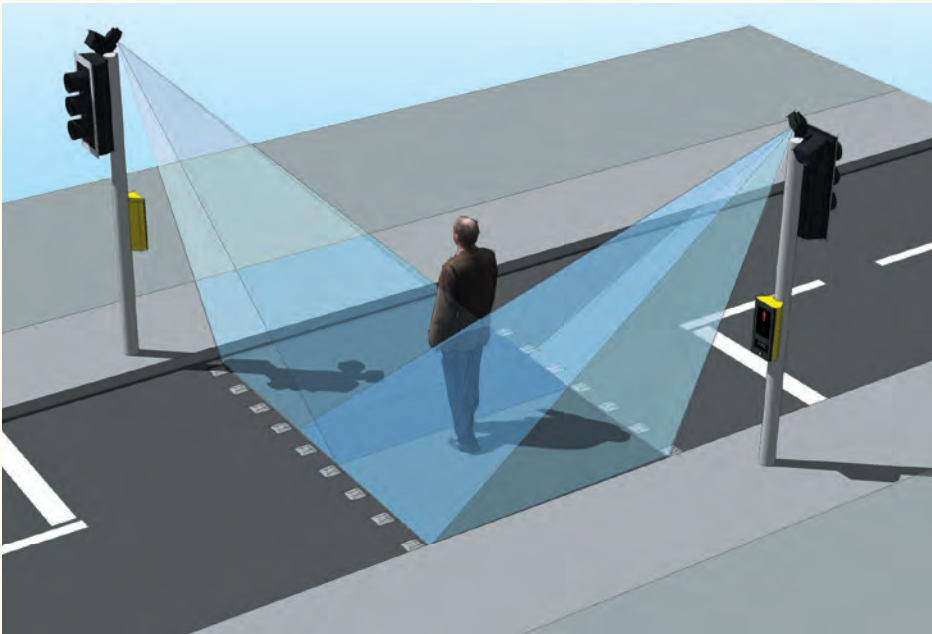
	226	
	PEDESTRIAN DETECTION	
	Pedestrian On-Crossing Radar Detector	



This product has been designed for the detection and monitoring of pedestrians and cyclists crossing the road at signalled installations and other applications where the detection of moving pedestrians is required. The 226 Doppler radar operates in the 10.5GHz band. Deployment of this technology allows optimisation of the timing of the pedestrian crossing phase minimising delays to vehicle traffic.

- Pedestrian on-crossing detection
- Technically advanced detection platform
- Modern, compact stand-alone detector
- Custom designed planar antenna

PEDESTRIAN ON-CROSSING RADAR DETECTOR

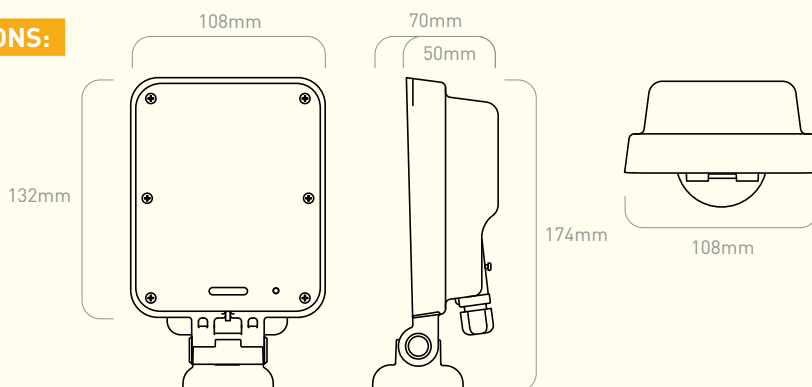


FEATURES

- Bi-directional detection of moving pedestrians and cyclists on the crossing area
- Lightweight, compact units for ease of deployment
- User adjustable range of 8m or 16m on crossing and up to 6m wide via switches
- Low speed threshold of 1.8kph
- LED detect indication to front/rear
- Power supply options of 24Vac/dc, 42Vac or 230Vac

DIMENSIONS:

Weight: 650g



SPECIFICATIONS

Technology	CW Doppler radar
Detect Output	Opto-isolator
Mounting Height	3-5m nominal
Housing Material	Black polycarbonate
Sealing	IP65
Operating Temp	-20° C to +60° C
Power	1.7W to 1.9W @ 24Vac
Approved to:	ETSI EN 301 489 ETSI EN 300 440 BS EN 60950 TR2506

226 TESTING PROCESS

	TEST EQUIPMENT:	JUPITER™	
	PRODUCT TEST:	226	
	TEST FUNCTION:	<ul style="list-style-type: none"> • Simulation of fixed pedestrian target • Optimisation of frequency signals • Certified low speed threshold of 1.8 kph • Test cycle time 8 minutes 	<small>JUPITER was designed and developed by AGD Systems</small>



1.8 kph

Simulation of pedestrian targets by Jupiter provides a thorough examination of the performance of the 226



Jupiter™ is a bespoke set of test equipment designed and developed by AGD Systems. It is dedicated to the testing of the 226 pedestrian on-crossing radar detector and 100% of units manufactured at AGD are Certified by Jupiter.

The key test functions performed by Jupiter to Certify the premium performance of your Intelligent Detection System are:

- Simulation of fixed pedestrian target
- Optimisation of frequency signals
- Certified low speed threshold of 1.8 kph
- Transmitted radar power and frequency measurement
- Radar signal to noise level measurement
- Verification of DIP switch parameter operation
- >15 hour burn-in
- Test cycle time of 8 minutes

COMPLEX TARGET ACQUISITION

The radar image of a pedestrian target is very different from a vehicle target. The detection of pedestrians crossing the road requires a low speed threshold that at 1.8kph is significantly lower than for vehicle traffic. Simulation of pedestrian targets by Jupiter provides a thorough examination of the performance of the 226. This process allows full control of simulated targets' signal size, speed and direction.

Optimisation of frequency signals on Jupiter ensures full compatibility with different country requirements within the 10.5GHz radar operating band.

All DIP switch parameters and detect output LED operation are verified during the test cycle.

LIFETIME PRODUCT TRACEABILITY

There are clearly defined pass and fail criteria at all stages within the Jupiter test process. The test results in association with the product build revision are recorded on a product serial number basis. The full suite of test measurements is instantly sent to the dedicated product database within the AGD secure server facility, providing full traceability during the product lifetime.

The AGD Certified symbol is your mark of assured performance.

AGD SYSTEMS PTY LTD

Unit 17/15 Valediction Road
Kings Park, NSW 2148

T: +61-2-9653-9934
E: sales@agd-systems.com.au
W: agd-systems.com.au

ABN: 41 145 608 859